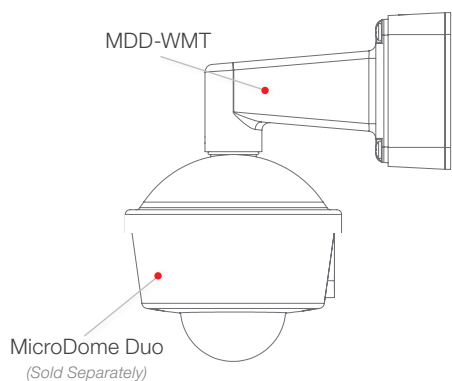


# MicroDome<sup>®</sup> Duo Accessories

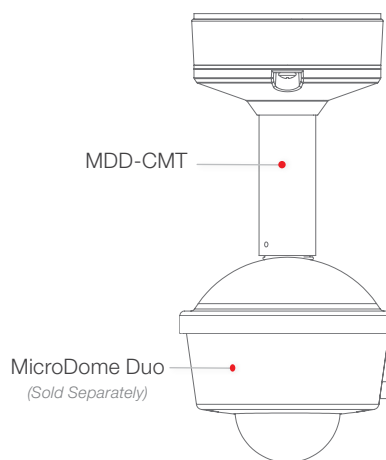
Accessories for MicroDome Duo Indoor/Outdoor Wall, Ceiling and Flush Mounting Solutions



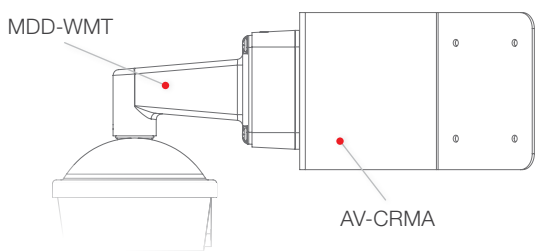
**Wall Mount Configuration**



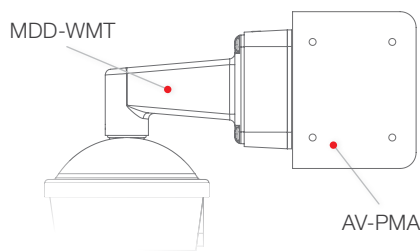
**Ceiling Mount Configuration**



**Wall Mount Configuration with Corner Mount Adapter**



**Wall Mount Configuration with Pole Mount Adapter**



Compatible Camera



**MicroDome<sup>®</sup> Duo**

## MDD-WMT

Wall Mount with Built-In Junction Box Adapter and Cap

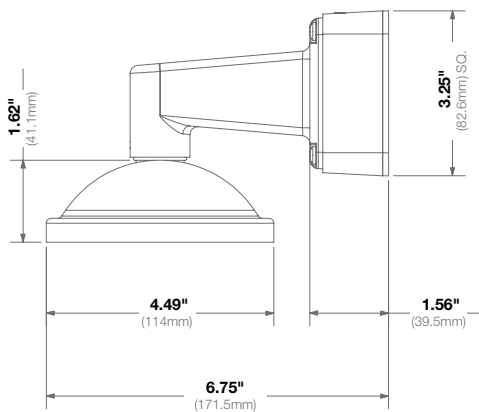
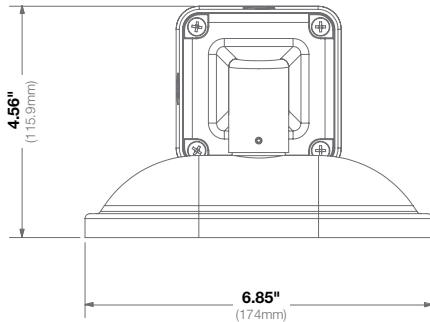


**Features:**

- Easy Installation and Superior Design
- Heavy Duty Enclosure Protection for Applications in Harsh Environments
- Die-Cast Aluminum is Resistant to Impact and Salt Damage

**Compatibility** Works with MicroDome Duo cameras

<b>Mechanical</b>	<b>Casing Material</b>	Aluminum	
	<b>Color</b>	Ivory (Pantone® Cool Gray 1C)	
	<b>Dimensions</b>	See Dimensional Drawings Below	
	<b>Weight</b>	<b>w/o Camera</b>	1.47lbs (0.67kg)



## MDD-CMT

Ceiling Mount with Built-In Junction Box Adapter and Cap

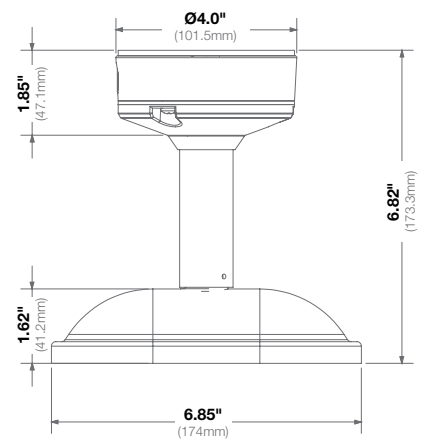
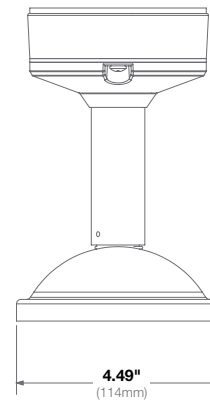


**Features:**

- Easy Installation and Superior Design
- Heavy Duty Enclosure Protection for Applications in Harsh Environments
- Die-Cast Aluminum is Resistant to Impact and Salt Damage

**Compatibility** Works with MicroDome Duo cameras

<b>Mechanical</b>	<b>Casing Material</b>	Aluminum	
	<b>Color</b>	Ivory (Pantone® Cool Gray 1C)	
	<b>Dimensions</b>	See Dimensional Drawings Below	
	<b>Weight</b>	<b>w/o Camera</b>	1.41lbs (0.64kg)



## MDD-FMA

Flush Mount

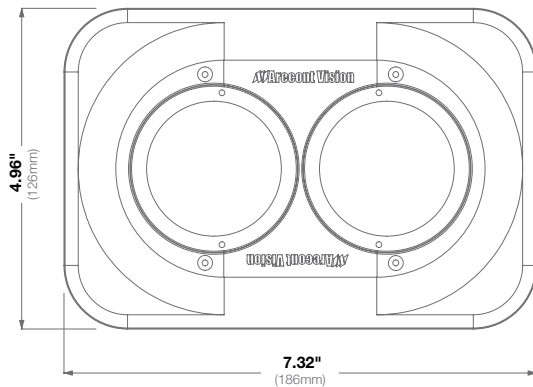
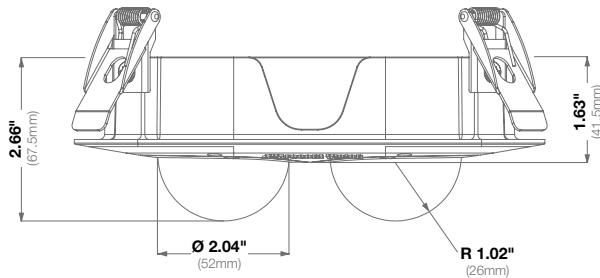


**Features:**

- Easy to Install Spring-arm Design
- Low Profile Installation

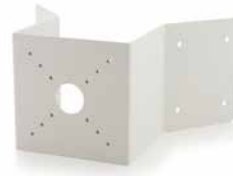
**Compatibility** Works with MicroDome Duo cameras

<b>Mechanical</b>	<b>Casing Material</b>	Aluminum and Plastic	
	<b>Color</b>	White	
	<b>Dimensions</b>	See Dimensional Drawings Below	
	<b>Weight</b>	<b>w/o Camera</b>	0.56lbs (0.26kg)



## AV-CRMA

Corner Mount Adapter

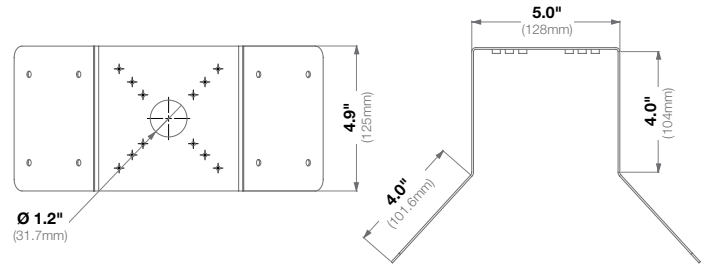


**Features:**

- Easy Installation and Superior Design
- Heavy Duty Enclosure Protection for Applications in Harsh Environments
- Die-Cast Aluminum is Resistant to Impact and Salt Damage

**Compatibility** Works with AV-WMJB, AV-SWMJB, MDD-WMT, MCD-WMT, and AV-JBA

<b>Mechanical</b>	<b>Casing Material</b>	Aluminum	
	<b>Color</b>	Ivory (Pantone® Cool Gray 1C)	
	<b>Dimensions</b>	13.04" W (331.25mm) x 4.92" H (125mm)	
	<b>Weight</b>	<b>w/o Camera</b>	0.59lbs (0.27kg)



## AV-PMA

Pole Mount Adapter



**Features:**

- Easy Installation and Superior Design
- Heavy Duty Enclosure Protection for Applications in Harsh Environments
- Die-Cast Aluminum is Resistant to Impact and Salt Damage

**Compatibility** Works with AV-WMJB, AV-SWMJB, MDD-WMT, MCD-WMT, and AV-JBA

<b>Mechanical</b>	<b>Casing Material</b>	Aluminum	
	<b>Color</b>	Ivory (Pantone® Cool Gray 1C)	
	<b>Dimensions</b>	5.01" W (127.32mm) x 4.92" H (125mm)	
	<b>Weight</b>	<b>w/o Camera</b>	0.32lbs (0.15kg)

